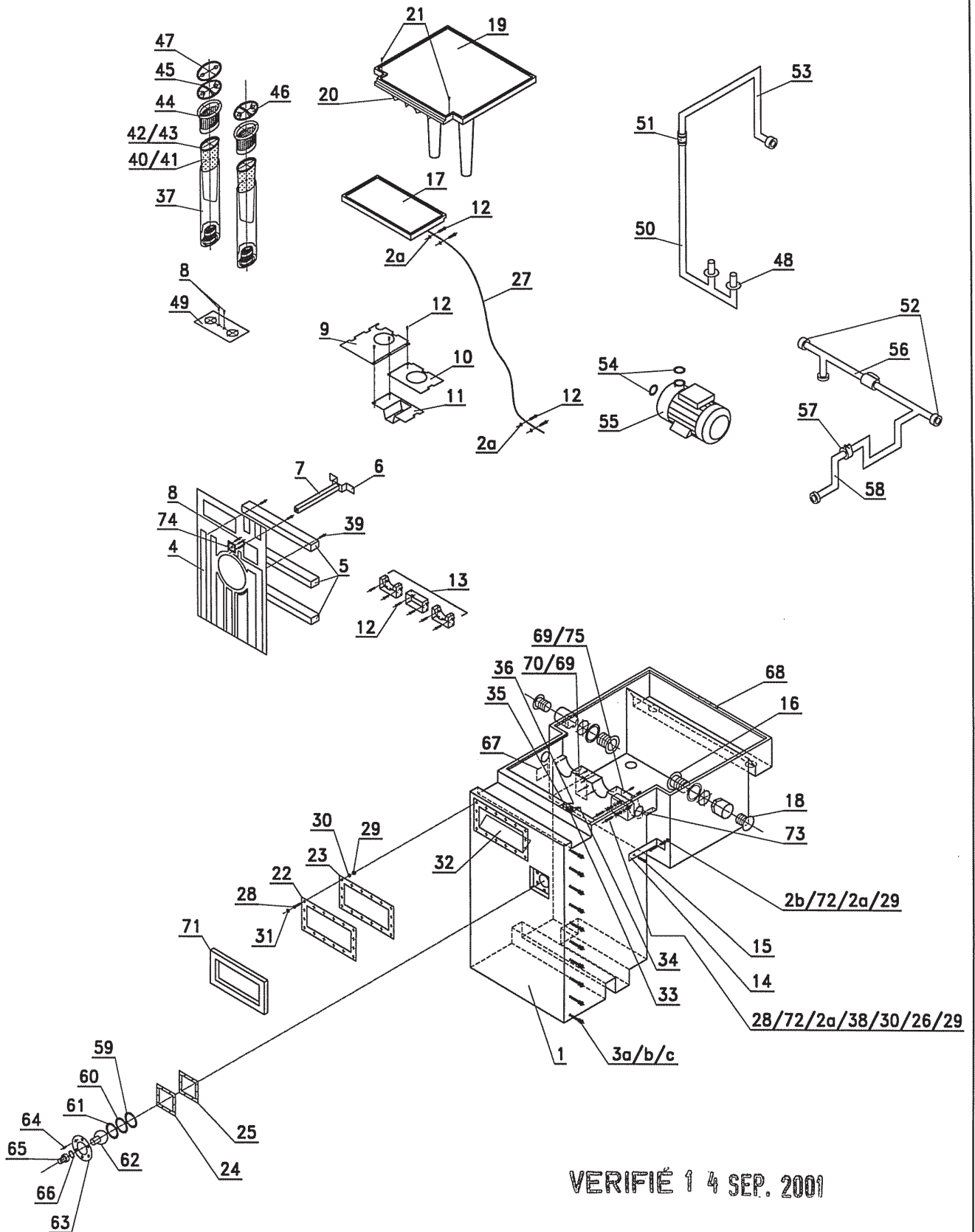


USA FILTERING PANEL 98 (P2 & P3)
(white and grey versions)



USA FILTERING PANEL 98 (P2 & P3) (white and gray versions)

Rep.	Désignation article	Qté	Code	Rep.	Désignation article	Qté	Code
1	Filtering panel USA 98, body	1	P2:9264 P3:9280	40	Filtering bag 30 microns	2	8070
2a	Stainless steel flat washer A4 D6	8	9005	41	Filtering bag 15 microns	2	8050
2b	Screw, stainless steel A4 6x20 TCL	2	9202	42	Ring, filtering bag, internal	2	9576
3a	M8 stud	20	9379	43	Reinforced ring, filtering bag, external	2	9765
3b	Flat washer AC Zn ø8 LL	20	9649	44	Basket, white	2	1604
3c	Nut AC Zn M8	20	9651	45	Skim-vac perforated	1	9073
4	Lining sheet, front panel	1	9400	46	Skim-vac non perforated	1	9752
5	Wedge PP 725x45x20mm	6	9695	47	Regulator	1	8053
6	Lining sheet support	1	9389	48	Rubber seal, filter-holder, bottom	2	9761
7	PCV pipe, white, 30x30x3mm	0.6ml	9390	49	Plate support, filter-holder	1	9391
8	Screw, stainless steel sheet, TF 5.5x25	6	9797	50	Suction pipe, filtration unit side ø75mm and 2"	1	9274
9	Spacer plate, LH filter-holder	1	9386	51	Coupling + collars USA 2"	1	9275
10	Spacer plate, RH filter- holder, rear	1	9387	52	Red tightening collar ø75mm	2	9837
11	Spacer plate, RH filter- holder, front	1	9388	53	Suction pipe, pump side ø2"	1	9273
12	Screw, stainless steel sheet, TC 5.5x19	12	9794	54	O-ring ø67mm	2	9022
13	Anti-lap kit (3 parts)	1 set	9392	55	Pump	1	
14	Brace PF98	2	9603	56	Discharge pipe, pump side by-pass, ø2" & 2"½	1	9272
15	Screw, stain. steel TRL 8x16	2	9667	57	Blue tightening collar ø75mm, for use in water	1	90005
16	Discharge, tiling	2	5019	58	Discharge pipe, filtration unit side, PVC ø2"½	1	9271
17	Front lid PF98	1	9384	59	Rubber seal, thickness 9mm	1	9586
18	Threaded plug 40/49	2	9860	60	Rubber seal, thickness 1,5mm	1	9817
19	Rear lid PF98 USA rotomoulded	1	P2:9263 P3:9279	61	Seal, shaped Teflon	1	9024
20	Neoprene seal	1	2010	62	Spherical joint	1	9021
21	Screw, stain. steel TRL 8x25	2	9220	63	Flange, nozzle (cut)	1	9587
22	Flange skimmer	1	9763	64	Screw, stainless steel TF 5.5x19	6	9777
23	Seal, fibre, flange skimmer	1	9762	65	Drain connection fitting	1	1749
24	Square flange, nozzle	1	9562	66	Rubber seal, drain fitting (ø43x34x5mm)	1	9818
25	Seal, fibre, flange, nozzle	1	9653	67	Label "Mandatory drain connection"	4	9700
26	Ground eye Lug	4	9278	68	Label "Caution: Shock Hazard"	1	9269
27	Strap	1	9277	69	Rivet, st. Steel 4x12mm	6	9751
28	Screw, stainless steel TF 6x30	28	9793	70	Plate "Copper Wire only"	1	9266
29	Nut, stainless steel M6	30	9026	71	Flange skimmer cover	1	90053
30	Stain. steel star washer ø6mm	28	9397	72	Fibre washer 8x13mm	4	9582
31	Screw Pozidrive, lid	10	9380	73	Multiconductor, junction box PF98 USA	1	9268
32	Valve, skimmer, double	1	8001	74	Lining sheet support, PES, front	1	9414
33	Air switch	1	9076	75	Identification plate PF98 USA/UL	1	9267
34	Clear hose ø6mm	0.5ml	9078				
35	Pneumatic switch (with nut: M6 + ø6 stain. steel washer)	1	9074				
36	Clear hose ø3mm	1.2ml	9075				
37	Filter-holder, injected unit: 97	2	9145				
38	Stainless steel self locking nut M6	2	9200				
39	Screw VBA A4 5x30 TF Pozidrive	9	9498				

VERIFIÉ 1 4 SEP. 2001